



Engine

Make/Type Model	Yanmar 4TNV88 water cooled 4 cylinder diesel engine
max. engine output	35,4 kW (48,1 HP)
Performance to ISO	28,2 kW (38,3 HP)
Engine displacement	2189 cm ³
Travel speed	2400 min ⁻¹
Battery	12V/88Ah
Fuel tank capacity	83 l



Hydraulic system

Pump	Double variable capacity pump + double gear pump
Pump capacity	2 x 57 + 41,4 + 11,7 l/min
Operating pressure for working and driving hydraulics	240 bar
Operating pressure for slewing gear	215 bar
Hydraulic oil cooler	standard
Hydraulic tank capacity	80 l



Undercarriage and slewing system

Travel speed - dual	2,7 km/h and 4,6 km/h
Gradeability	30°/58 %
Crawler width	400 mm
N° Track Rollers per side	4
Ground clearance	305 mm
Ground pressure - average	0,28 kg/cm ²
Superstructure slewing speed	8,7 min ⁻¹



Dozer Blade

Width	1990 mm
Height	380 mm
max. lift above ground	385 mm
max. lift below ground	390 mm



Lifting power index

A \ B	max.		4,0 m		3,0 m		2,0 m	
	along	across	along	across	along	across	along	across
4,0 m	1060*	810	-	-	-	-	-	-
3,0 m	1025*	585	1010*	780	-	-	-	-
2,0 m	1045*	490	1185*	730	1580*	1150	-	-
1,0 m	1090*	455	1415*	670	2225*	990	-	-
0,0 m	1145*	460	1555*	625	2435*	920	-	-
-1,0 m	1210*	515	1510*	610	2290*	915	4070*	1790
-2,0 m	1255*	705	-	-	1780	950	3000*	1860

A = projection from turnstile centre, B = load fixing height from ground level
 *The lifting power is hydraulically limited.
 The data (kg) refer to the machine without digging equipment and are in compliance with ISO 10567.
 Overall length with dozer blade supported.
 Neither 75% of the static tilting load nor 87% of the hydraulic lifting power are exceeded.



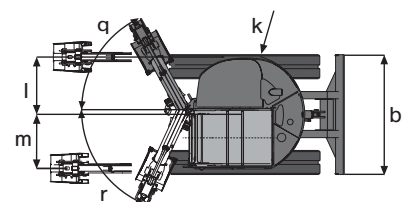
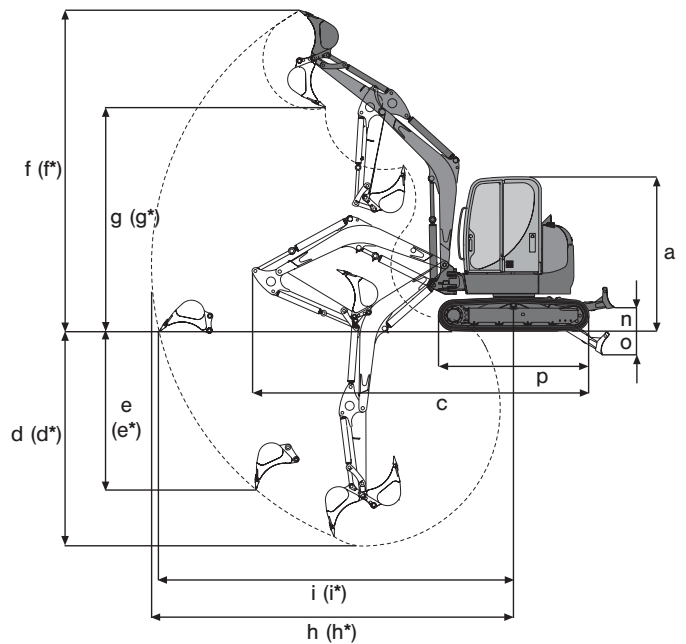
Noise level

Noise level (L _{WA}) (to 2000/14/EG)	96 db(A)
Noise level (L _{PA}) (to ISO 6394)	77 dB(A)



General specifications

Transport weight	4900 kg
Dimensions	
a — Height	2570 mm
b — Width	1990 mm
c — Transport length (boom down)	5500 mm
d — max. digging depth	3500 mm
d* — max. digging depth (long dipperstick)	3750 mm
e — max. vertical digging depth	2670 mm
e* — max. vertical digging depth (long dipperstick)	2805 mm
f — max. digging height	5300 mm
f* — max. digging height (long dipperstick)	5460 mm
g — max. dumping height	3680 mm
g* — max. dumping height (long dipperstick)	3840 mm
h — max. digging radius	5985 mm
h* — max. digging radius (long dipperstick)	6225 mm
i — max. reach on the ground	5860 mm
i* — max. reach on the ground (long dipperstick)	6105 mm
max. lateral tail projection over crawlers	0 mm
k — Tail slewing radius	995 mm
l — max. boom offset to centre of bucket right side	960 mm
m — max. boom offset to centre of bucket left side	895 mm
n — max. lift above ground	415 mm
o — max. lift below ground	455 mm
p — Track length	2500 mm
q — max. swing angle to the right	61 °
r — max. swing angle to the left	65 °
max. arm crowd force	26,6 kN
max. arm crowd force (long dipperstick)	23,5 kN
max. bucket digging force	33,8 kN



Basic Machine

General

- Rubber track 400 mm
- Dozer blade
- Working light mounted to the boom
- Tool kit incl. grease gun and operator manual

Engine

- Water-cooled YANMAR diesel engine

Cabin

Safety glass cabin: Tilttable cabin, cabin heating, side sliding window, top swings back, windscreen wiper and washing system, covered cab interior, cabin complies with FOPS and TOPS regulations.

- Cabling for radio incl. aerial and speakers
- Cabling for cab lighting and flashing beacon

Hydraulic

- Summation regulation
- Hydraulic oil cooler
- Hydraulic pilot control via joystick
- Valve control according to ISO, DIN, SAE, PCSA and EURO
- Auxiliary hydraulic connection for two directions of motion, mounted on dipperstick (1450 mm)
- Auto2-Speed transmission, dual travel speed operated automatically, 2nd gear manually locked
- Increased, depressurized return line (for several attachments)

Neuson Baumaschinen GmbH

Haidfeldstraße 37
A-4060 Linz-Leonding

Tel. +43 (0)732 90 590-0
Fax +43 (0)732 90 590-200

e-Mail verkauf@neuson.com
www.neusonkramer.com

Kramer-Werke GmbH
Nußdorfer Straße 50
D-88662 Überlingen

Tel. +49 (0)7551 802-0
Fax +49 (0)7551 802-260

e-Mail info@kramer.de
www.neusonkramer.com

Neuson Ltd.
Crown Business Park
Dukestown, Tredegar
Gwent. NP22 4EF
United Kingdom

Tel. +44 (0)1495 72 30 83
Fax +44 (0)1495 71 39 41

e-Mail uksales@neuson.com
www.neusonkramer.com



neuson[®]

Options

50Z₃

Cabin

- Air conditioning plant
- Air cushioned seat
- Radio

Hydraulic

- 3rd control circuit (with proportional control)
- Biological oil Panolin
- BP-Biohyd SE46
- Flat faced couplers
- Proportional control (for auxiliary hydraulic)
- Overload valve for auxiliary hydraulic
- Overload system Germany (Load holding valve boom)
- Overload system France (Load holding valve boom and dipperstick)
- Additional piping for grabble

Painting

- Special paint 1 RAL (Colour for red parts only)
- Special paint 1 no RAL (Colour for red parts only)
- Special paint cabin RAL (RAL colours only)

Miscellaneous

- Cab lighting front
- Cab lighting front and rear
- Anti theft device
- Electrical refuelling pump
- Flashing beacon
- Counter weight
- Idle speed automatic operation
- Long dipperstick (+250 mm)
- Security 24 (1500 h) (Warranty extension to 24 months or 1500 operation hours)
- Security 24 (2000 h) (Warranty extension to 24 months or 2000 operation hours)
- Steel track 400 mm
- Central lubrication system

Packages

- Comfort package (Air conditioning plant, idle speed automatic oper. radio, mirror package, cab lighting front and rear)
- Mirror package (Exterior mirror right and left)

Subject to modifications without prior notice.
We reserve the right to change the specifications without prior notice.
Alone the explicit contractual agreement is decisive.
01/06 ArtNr. 1000126397